

SUBENTRO TENUTA A LABBRO POS. 9 COD. R14984000:

MOTORE MEC 71:

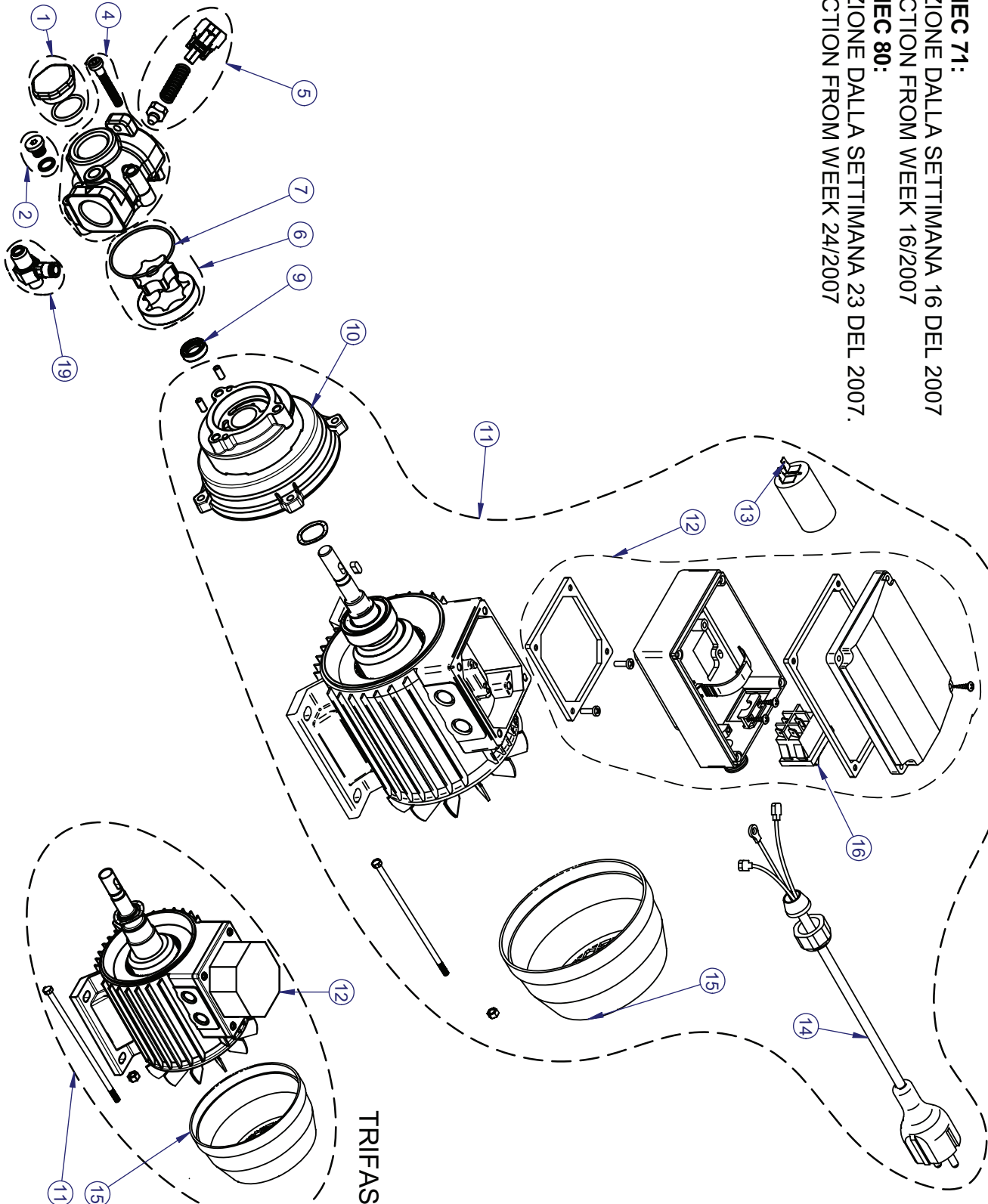
IN PRODUZIONE DALLA SETTIMANA 16 DEL 2007

IN PRODUCTION FROM WEEK 16/2007

MOTORE MEC 80:

IN PRODUZIONE DALLA SETTIMANA 23 DEL 2007.

IN PRODUCTION FROM WEEK 24/2007



TRIFASE

Spare Parts List cod. F0030403D VISCOMAT 200/2 M 230V/50-60HZ REG.

Pos.	Material Code	Description	QT	UM
0001	R13851000	GROUP PLUG 1G + GASKET	1	PC
0002	R13852000	KIT PLUG 1/4G + WASHER	1	PC
0004	R13853000	KIT HEAD GEAR PUMP 350/2 - 200/2	1	PC
0005	R13864000	KIT ADJUSTING BY-PASS VALVE	1	PC
0006	R13857000	KIT ROTOR VISCOMAT 350/2 -200/2	1	PC
0007	R10273000	GASKET O-RING (d.60,05 sp.1,78) 70 SH	1	PC
0009	R14984000	SEAL BABSL 14x24x7/7,5 72 NBR 902	1	PC
0010	R1386500D	ASSEMBLY MEC 71 200/2	1	PC
0011	R1386600D	GROUP MOTOR VISCOMAT 230/50 -200/2-	1	PC
0012	R0819500A	KIT TERMINAL BOX 0.5/0.7HP 230/50	1	PC
0013	R08193000	KIT CONDENSER 16uF MOTOR 0.7 HP	1	PC
0014	R12909000	SUPPLY CABLE WITH PLUG	1	PC
0015	R08181000	KIT FAN COVER MOTOR MEC71	1	PC
0016	R16657000	2POLES SWITCH COMELUX MD 4010 I 3502 B01	1	PC
0019	R1127400A	KIT PRIMING DEVICE G1/4in	1	PC

Spare Parts List cod. F0030430D VISCOMAT 230/3 M 230V/50HZ REG.

Pos.	Material Code	Description	QT	UM
0001	R13851000	GROUP PLUG 1G + GASKET	1	PC
0002	R13852000	KIT PLUG 1/4G + WASHER	1	PC
0004	R13853000	KIT HEAD GEAR PUMP 350/2 - 200/2	1	PC
0005	R13864000	KIT ADJUSTING BY-PASS VALVE	1	PC
0006	R13858000	KIT ROTOR VISCOMAT 230/3	1	PC
0007	R10273000	GASKET O-RING (d.60,05 sp.1,78) 70 SH	1	PC
0009	R14984000	SEAL BABSL 14x24x7/7,5 72 NBR 902	1	PC
0010	R1386000D	KIT ASSEMBLING MEC80 350/2 - 230/3	1	PC
0011	R1386100D	GROUP MOTOR VISC 230/50 -350/2 230/3-	1	PC
0012	R0819600A	KIT TERMINAL BOX 1HP 230V \ 50HZ	1	PC
0013	R12987000	CONDENSER 40 microF	1	PC
0014	R12909000	SUPPLY CABLE WITH PLUG	1	PC
0015	R08182000	KIT FAN COVER MOTOR MEC 80	1	PC
0016	R16657000	2POLES SWITCH COMELUX MD 4010 I 3502 B01	1	PC
0019	R1127400A	KIT PRIMING DEVICE G1/4in	1	PC

Spare Parts List cod. F0030401D VISCOMAT 350/2 M 230V/50HZ REG.

Pos.	Material Code	Description	QT	UM
0001	R13851000	GROUP PLUG 1G + GASKET	1	PC
0002	R13852000	KIT PLUG 1/4G + WASHER	1	PC
0004	R13853000	KIT HEAD GEAR PUMP 350/2 - 200/2	1	PC
0005	R13856000	GROUP BY-PASS VALVE VISCOMAT 350/2	1	PC
0006	R13857000	KIT ROTOR VISCOMAT 350/2 -200/2	1	PC
0007	R10273000	GASKET O-RING (d.60,05 sp.1,78) 70 SH	1	PC
0008	R10276000	GASKET O-RING (d.17.12 sp.2.62) NBR 70SH	1	PC
0009	R14984000	SEAL BABSL 14x24x7/7,5 72 NBR 902	1	PC
0010	R1386000D	KIT ASSEMBLING MEC80 350/2 - 230/3	1	PC

0011	R1386100D	GROUP MOTOR VISC 230/50 -350/2 230/3-	1	PC
0012	R0819600A	KIT TERMINAL BOX 1HP 230V \ 50HZ	1	PC
0013	R12987000	CONDENSER 40 microF	1	PC
0014	R12909000	SUPPLY CABLE WITH PLUG	1	PC
0015	R08182000	KIT FAN COVER MOTOR MEC 80	1	PC
0016	R16657000	2POLES SWITCH COMELUX MD 4010 I 3502 B01	1	PC
0019	R1127400A	KIT PRIMING DEVICE G1/4in	1	PC

Spare Parts List cod. F00304T4D VISCOMAT 230/3 T 400V/50HZ REG.

Pos.	Material Code	Description	QT	UM
0001	R13851000	GROUP PLUG 1G + GASKET	1	PC
0002	R13852000	KIT PLUG 1/4G + WASHER	1	PC
0004	R13853000	KIT HEAD GEAR PUMP 350/2 - 200/2	1	PC
0005	R13864000	KIT ADJUSTING BY-PASS VALVE	1	PC
0006	R13858000	KIT ROTOR VISCOMAT 230/3	1	PC
0007	R10273000	GASKET O-RING (d.60,05 sp.1,78) 70 SH	1	PC
0009	R14984000	SEAL BABSL 14x24x7/7,5 72 NBR 902	1	PC
0010	R1386000D	KIT ASSEMBLING MEC80 350/2 - 230/3	1	PC
0011	R1386200D	GROUP MOTOR VISCOMAT 400/50 -230/3-	1	PC
0012	R0818800A	KIT TERMINAL BOX 1HP 400V \ 50HZ	1	PC
0015	R08182000	KIT FAN COVER MOTOR MEC 80	1	PC
0019	R1127400A	KIT PRIMING DEVICE G1/4in	1	PC

Spare Parts List cod. F00304T1D VISCOMAT 350/2 T 400V/50HZ REG.

Pos.	Material Code	Description	QT	UM
0001	R13851000	GROUP PLUG 1G + GASKET	1	PC
0002	R13852000	KIT PLUG 1/4G + WASHER	1	PC
0004	R13853000	KIT HEAD GEAR PUMP 350/2 - 200/2	1	PC
0005	R13868000	GROUP VALVE BY-PASS VISCOMAT -350/2-	1	PC
0006	R13857000	KIT ROTOR VISCOMAT 350/2 -200/2	1	PC
0007	R10273000	GASKET O-RING (d.60,05 sp.1,78) 70 SH	1	PC
0009	R14984000	SEAL BABSL 14x24x7/7,5 72 NBR 902	1	PC
0010	R1386000D	KIT ASSEMBLING MEC80 350/2 - 230/3	1	PC
0011	R1386200D	GROUP MOTOR VISCOMAT 400/50 -230/3-	1	PC
0012	R0818800A	KIT TERMINAL BOX 1HP 400V \ 50HZ	1	PC
0015	R08182000	KIT FAN COVER MOTOR MEC 80	1	PC
0019	R1127400A	KIT PRIMING DEVICE G1/4in	1	PC