

C SPECIAL EQUIPMENTS CAMBIAOLIO



EN. The “Cambiaolio” satisfies the ever-increasing demand of extracting used oil from cars directly through the dipstick holder. Trailer-mounted support. Self priming pump.

ES. “Cambiaolio” responde a la exigencia cada vez más frecuente de extraer el aceite agotado de los automóviles directamente por el alojamiento de la varilla de control del nivel de aceite. Soporte sobre ruedas. Bomba autocebante.

PT. “Cambiaolio” atende à exigência cada vez mais freqüente de retirar óleo usado de automóveis diretamente pelo encaixe da vareta do nível do óleo. Carrinho transportador. Bomba auto-escorvante.

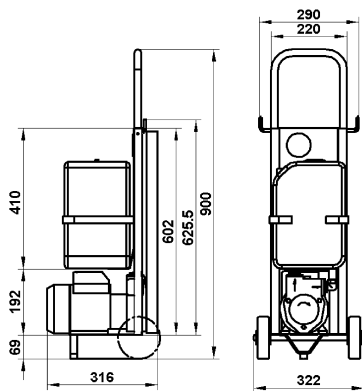
PERFORMANCE

- Continuous operation.
- Noise less than 70 dB.

- Funcionamiento continuo.
- Ruido inferior a 70 dB.

- Funcionamento contínuo.
- Ruído inferior a 70 dB.

DIMENSIONS



PRODUCTS' RANGE WEIGHT AND PACKAGING

Code	Weight		Packaging		
	kg	lbs	mm	inch	pcs/box
F0050000B	19,5	43	600x290x300	23,6x11,4x11,8	1
00050006A	19,5	43	600x290x300	23,6x11,4x11,8	1



Flow-rate

up to
10 l/min
(up to 3 gpm)

PIUSI[®]

EASY TO USE



Cambialio



INCLUDED

Probe Kit included:

- 1 semi-rigid probe Ø 6 x 800 mm
- 1 semi-rigid probe Ø 8 x 800 mm
- 1 rigid probe Ø 8 x 650 mm
- 1 rigid probe Ø 9 x 650 mm



FEATURES

Pressure Gauge



Tank 12 liter



On/off switch



PRODUCTS' RANGE TECHNICAL DATA

Code	Description	Fluids type	Flow-rate		Voltage			Tank	
			l/min	gpm	AC V./Hz DC Volt	Power Watt	Amp. max.	liter	gal
F0050000B	Cambialio M	☐	2 - 10	0,5 - 2,5	230/50-60	350	2	10	3
00050006A	Cambialio 120V / 60 Hz	☐	2 - 10	0,5 - 2,5	120/60	1200	12,7	10	3

DISPENSERS

PUMPS

METERS

NOZZLE METERS

NOZZLE

SPECIAL EQUIPMENTS

FLUID MONITORING

ACCESSORIES

FILTERING