

TANK QUESTIONNAIRE

PLEASE REMEMBER, THE GAUGE CAN ONLY BE AS ACCURATE AS THE INFORMATION YOU PROVIDE

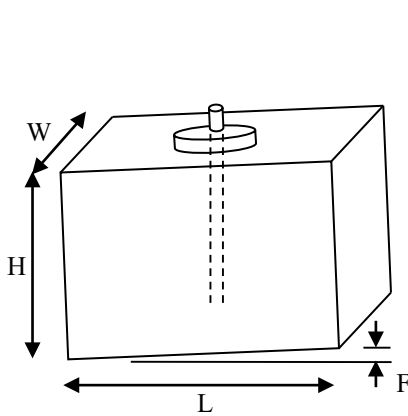
*Type of Gauge	C	G6	E
*Tank Shape (See Below)			
*Total Capacity			
Safe Working Capacity			
*Specific Gravity			
Type of Liquid			
Calibration Units (e.g. Gallons, Litres, Tonnes, etc)			

Balance Chamber Required?		Length**
BCKIT	Balance Chamber Kit***	
BC1	Magnetic (up to 6m)***	
BC4	Rigid PVC	
BC5	Brass (Water)	
BC6/1	Mild Steel	
BC6/4	Copper	
BC6/5	Stainless Steel	
BC6/8	Polypropylene	
Length of Flexible Tubing Required		

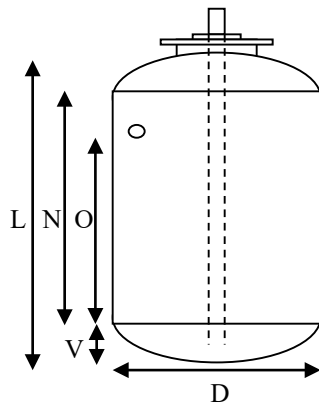
* All fields in **Bold** are mandatory

** Balance chambers required are generally at least the height of the tank plus 250mm in length.

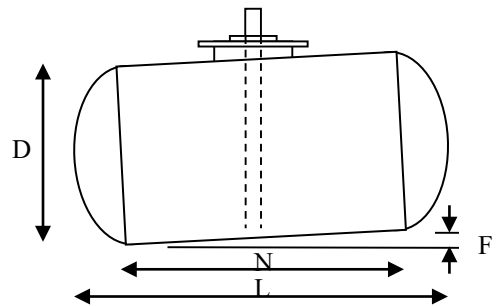
***Customers are advised that although lengths up to 6m are available, on any requirement above 3m use of a rigid chamber is recommended.



Rectangular
(R)



Cylindrical Vertical Flat/Dished
(CVF or CVD)



Cylindrical Horizontal Flat/Dished
(CHF or CHD)

*Height (H)	
Width (W)	
Length (L)	
Fall (F)	

*Length (L)	
Shell Length (N)	
Diameter (D)	
Overfill Point (O)	

*Diameter (D)	
Length (L)	
Shell Length (N)	
Fall (F)	

Customer's Name and Address:		
Despatch Address:		
Customer's Order Number:	Date:	Authorised By: