

# Normond G Series

## Analogue Gauges

Robust, hydrostatic gauges for maxim



The Normond series of Analogue Gauges are popular choices for commercial sites. Featuring a hand-pump mechanism the gauges do not require any power and are therefore ideally suited for hazardous environments.

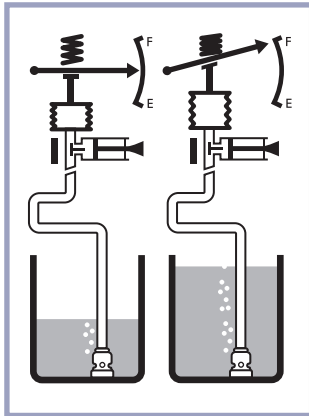
The G series is the most accurate of the Normond Gauges and suitable for most liquids (excluding foods). Robust and weather-resistant these gauges can be relied upon to consistently perform for many years and require little maintenance.

- For most liquids including fuel and chemicals
- Suitable for hazardous environments
- Caters for tanks with difficult access & up to 10m high
- Large format dials for easy reading
- Weather-resistant
- Repair and re-calibration service
- Simple to install
- Highly reliable with thousands installed

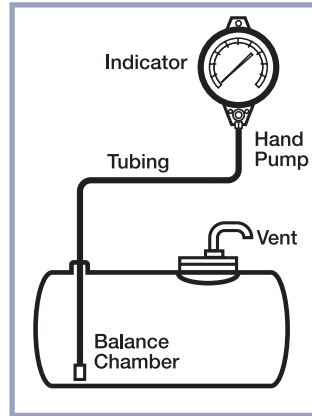
# Technical Information

The Normond G analogue gauges are run hydrostatically with a hand-pump, which means no power supply is needed. The pump displaces the liquid from the balance chamber, resulting in back pressure which is detected by the gauge and displayed on the dial as volume, weight or depth. Customers can normally self-install the gauges.

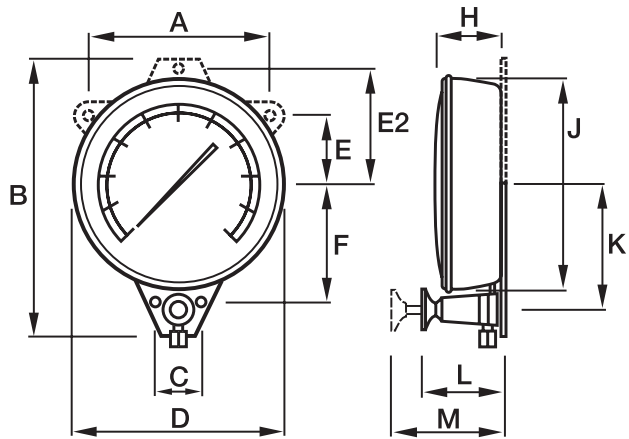
## Operation



## Installation

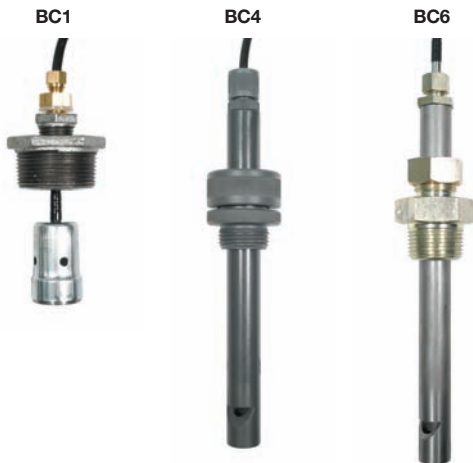


# Dial Face Specification



Order code	G6	G8	G12
<b>Dial face size</b>	<b>150mm</b>	<b>200mm</b>	<b>300mm</b>
A	CL	152.4mm	203.2mm
B	240mm	268mm	368mm
C	38mm	60.3mm	60.3mm
D	181mm	233.4mm	335mm
E	N/A	765	127mm
E2	96.5mm	N/A	N/A
F	95.5mm	109.3mm	162mm
H	98mm	101mm	108mm
J	164mm	215.9mm	317.5mm
K	116.5mm	136.2mm	188mm
L	111.1mm	111.1mm	111.1mm
M	148.4mm	148.4mm	148.4mm

# Balance Chamber Technical Information



	BC1	BC4	BC6/1 BC6/4 BC6/5
Construction	Mild steel	Rigid PVC	6/1 mild steel 6/4 copper 6/5 stainless steel 6/8 polypropylene
Application (non food)	Fuel oil and other liquids compatible with PVC	Acids and other corrosive substances	General liquids
Connecting capillary	PVC	PVC	PVC
Outer casing	ABS plastic	ABS plastic	ABS plastic
Fitting	Flush or mounted	Flush or mounted	Flush or mounted
Maximum tank size	Any shape up to 6m high	Any shape up to 9.2m high	Any shape up to 9.2m high
Minimum tank entry	38mm	25mm	25mm
Maximum temperature	38°C	38°C	100°C
Maximum viscosity measured in redwood No 1 @ 16°C	150 seconds	3500 seconds	3500 seconds

# Maintenance, calibration and testing services

The G series gauges are individually calibrated using sophisticated software reference to master instrumentation at our ISO 9001 certified UK factory. The gauges can be regularly re-calibrated if required and calibration certificates are supplied with each gauge.

To minimise the risk of overfills with volatile or dangerous liquids, it is recommended "Fail to Full" calibration is selected.

Each gauge is supplied with a one year warranty.

Gauges are not compatible with vapour recovery.