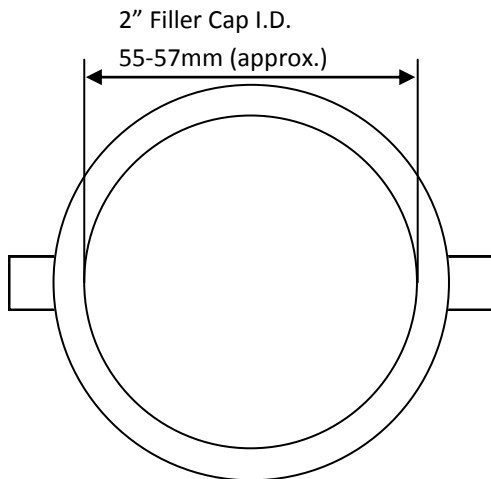


How to measure the tank filler cap you need

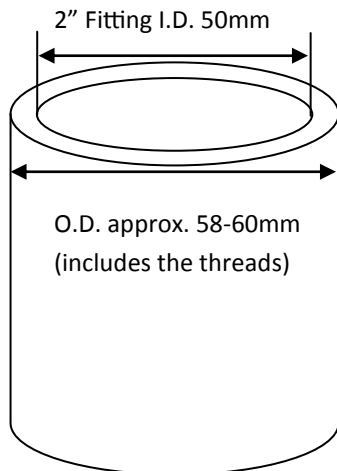
Please note: The filler caps measurements listed are based on the internal diameter of the pipework they are fitting onto e.g. 2" pipe will be referring to the internal diameter of the pipe so you should select a 2" filler cap.

However, these dimensions do not reflect the true internal diameter of the filler caps as you need to take the pipe wall thickness and thread into account. Below are some guidance measurements on these fittings.



Filler Caps

| Size | Code | I.D. (mm) |
|--------|--------|-----------|
| 1" | MF3155 | 30-32 |
| 1 1/2" | MF3161 | 44-46 |
| 2" | MF3162 | 55-57 |
| 2 1/2" | MF3163 | 70-72 |
| 3" | MF3164 | 84-86 |



Tapered Nipple

| Size | Code | O.D. (mm) |
|--------|--------|-----------|
| 1" | BC9004 | 32-33.5 |
| 1 1/2" | BC9006 | 47-48.5 |
| 2" | BC9007 | 58-60 |
| 2 1/2" | BC9008 | 72.5-75.5 |
| 3" | BC9009 | 87-88.5 |