

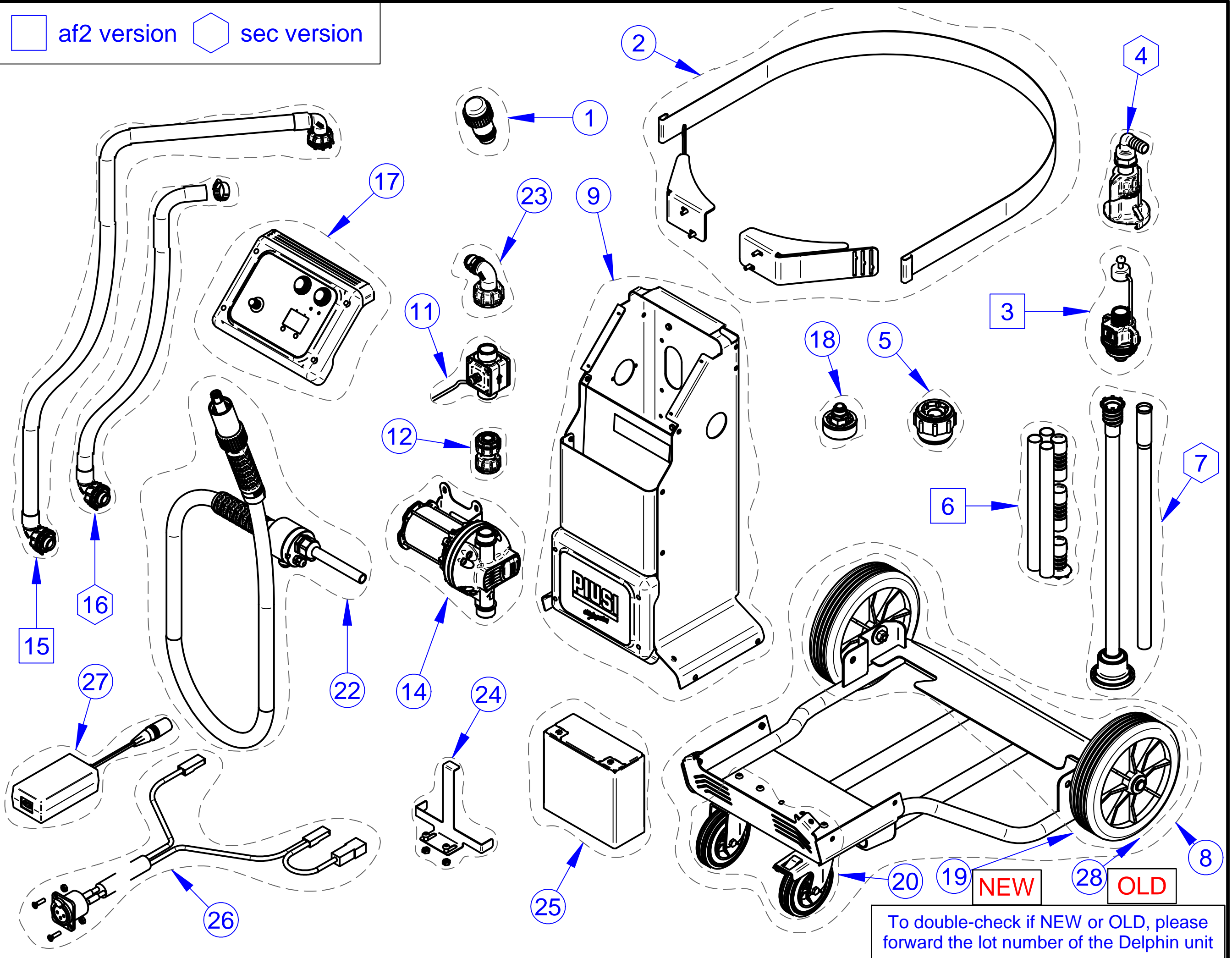
PIUSI

Fluid Handling Innovation

LR A00081

DELPHIN PRO DC

af2 version sec version



0001	R21216000	CAP PLASTIC PIPE CLAMP	1
0002	R21140000	DRUM SUPPORT "D.PRO"	1
0003	R20189000	REPAIR KIT STG AF2 56x4 Butt. - 1"BSP	1
0005	R21421000	ADAPTER 3/4" 70x6 DELPHIN	1
0006	R19389000	KIT SUCTION PIUSI HAND PUMP	1
0008	R2050300C	TROLLEY "D.PRO"	1
0009	R21141000	FRAME COMPLETE "D.PRO"	1
0010	R2062200A	INTERMEDIATE HOSE 0.35m "D.PRO"	1
0011	R2067300A	K24 "DELPHIN PRO"	1
0012	F16434000	STRAIGHT CONNECTION WITH 2 NUT 1inch	1
0013	R21142000	VALVE "D.PRO"	1
0014	F00204090	SUZZARABLUE PUMP N 24V	1
0015	R2062900A	SUCTION HOSE 1.5m "D.PRO"	1
0017	R2110900A	ELECTRONIC BOARD "D.PRO" DC	1
0018	R20679000	PLASTIC PLUG "DELPHIN PRO"	1
0019	R2113700A	FIXED WHEEL + HUB + SCREWS "DELPHIN PRO"	1
0020	R20409000	KIT REVOLVING WHEEL TROLLEY "DELPHIN"	1
0021	R20887000	ZZPLUG 1"BSP x 11 PLASTIC	1
0022	R21112000	DELIVERY HOSE COMPLETE "D.PRO" DC	1
0023	R20184000	KIT 90° ELBOW FOR HOSES ø19	1
0024	R21102000	BATTERY LATCH BRACKET "D.PRO" DC	1
0025	R21003000	BATTERY 12V "D.PRO" DC	1
0026	R21080000	BATTERY CHARGER CABLE "D.PRO" DC	1
0027	R21095000	DELPHIN PRO DC BATTERY CHARGER W/PLUG	1
0028	R21137000	ZZFIXED WHEEL+HUB+SCREWS "DELPHIN PRO"	1