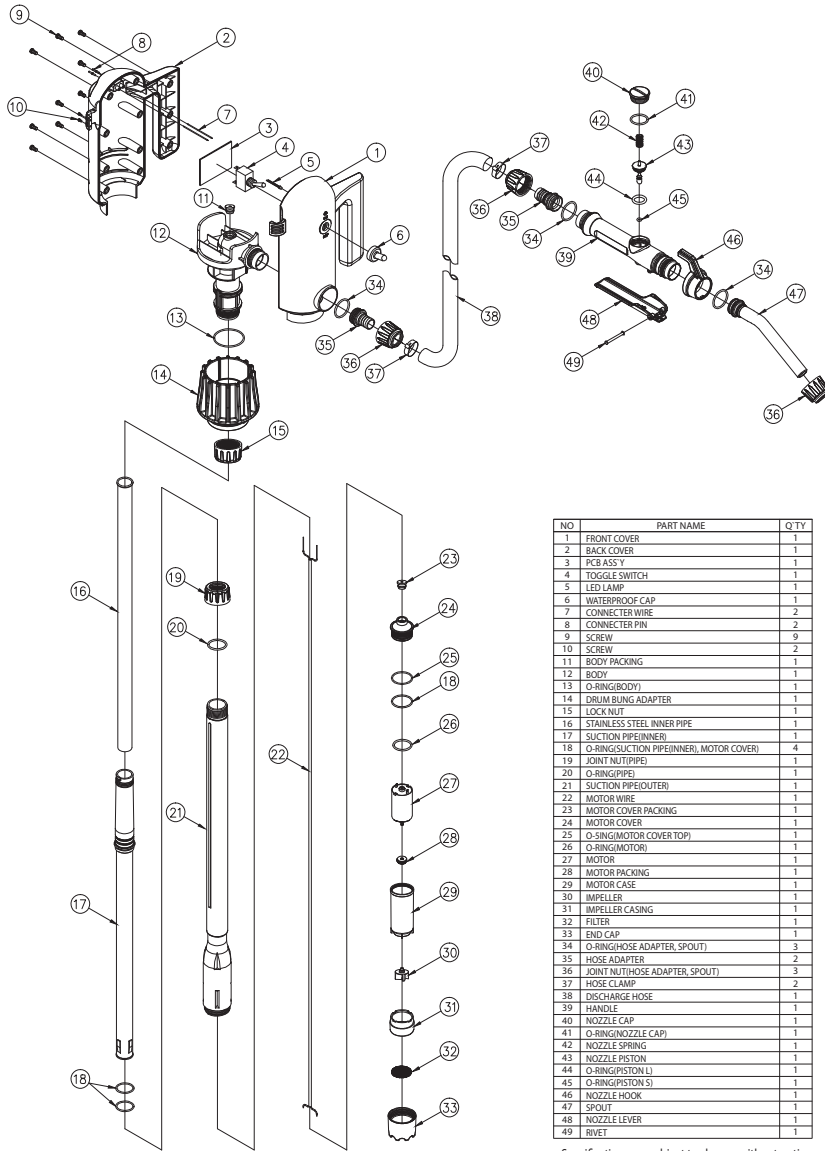


**ASSEMBLY DIAGRAM**



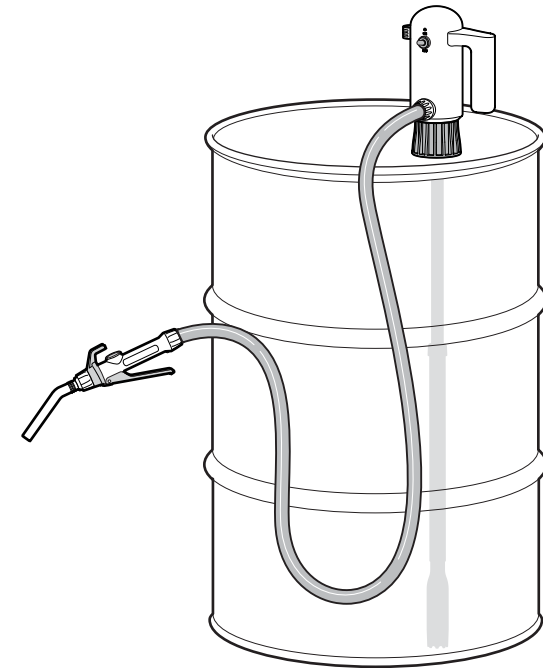
# MultiPump

## ELECTRIC DRUM PUMP

### INSTRUCTIONS AND PRECAUTIONS

※ Read all instructions and precautions before use.

**PART CODE: CTS2024**



**Centre Tank Services Ltd**

Unit 41 Minworth Industrial Park, Forge Lane,  
Sutton Coldfield, West Midlands, B76 1AH

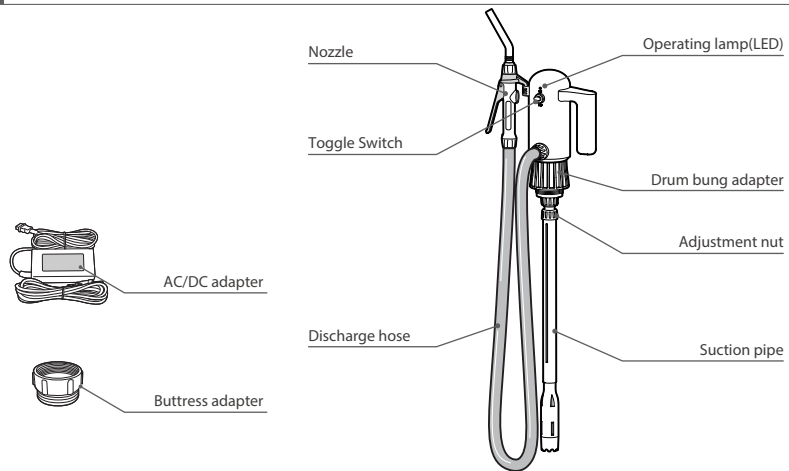
## Precautions for Use

These instructions are to ensure the product is used correctly, safely, and to prevent any possible risk or damage to the user and/or others people. Our company shall not take any responsibility for any failure of product, malfunction and damages caused by improper use by the user or third parties.

<b>⚠ DANGER</b> If the directions of this sign are not followed, fatal accidents can happen and the user may die or get seriously injured.	<b>⚠ WARNING</b> If the directions of this sign are not followed, accidents can happen or the user can get injured.	<b>⚠ CAUTION</b> If the directions of this sign are not followed, the product can get damaged or the user can get injured.
---	--	---

<p><b>⚠ DANGER</b></p> <p>Do not use this pump for transferring the following liquids; Aceton, Benzen, Cresol, Ethyl, Phenol, Methyl ethyl, Concentrated caustic soda liquid, Nitric acid, Hydrochloric acid, Sulfuric- acid, thinner or solvents, Etc.</p> <p>Do not use for concentrated acids.</p> <p>Only use on applicable liquids written on the specifications.</p> <p>Make sure to use the pump on even surface.</p> <p>Do not use when the cable and plug is damaged or if plug is loose on outlet.</p> <p>Keep the power supply adapter out of direct sunlight, water vapor, soft coal, dust, and damp air etc.</p> <p>Do not touch and operate any plug or power supply units with wet hands.</p>	<p><b>⚠ WARNING</b></p> <p>Make sure the pump is tightly secured to the drum (tank) before turning the pump on.</p> <p>Do not refuel directly while the vehicle or equipment is turned on.</p> <p>Do not leave the pump unattended.</p> <p>Do not allow children to operate the product without adult supervision.</p> <p>Wash and clean out the outlet, plug, and plug blades regularly.</p> <p>If the power supply adapter falls into the water, pull the plug out and do not reuse it.</p> <p>Make sure to hold on the plug and pull it out from the outlet. (Do not pull off the cable)</p> <p>Do not get power cord damaged, bent, pulled, twisted, or bound.</p> <p>Do not get the plug and outlet wet in any case.</p> <p>When disposing of pump, make sure to have it completely destroyed so that others won't use it again.</p> <p>When you hand it over to another person, be sure to give them the instructions too.</p>	<p><b>⚠ CAUTION</b></p> <p>Do not use deteriorated or contaminated liquids and fuels.</p> <p>Do not use this pump for hot liquids above 40°C (104°F).</p> <p>Use it in a well-ventilated area since the power supply adaptor becomes a little hot.</p> <p>Do not run the pump 'dry' or let the pump idle without transferring.</p> <p>Do not run the pump for longer than 15 minutes.</p> <p>Make sure to turn off the power after using the pump.</p> <p>Make sure to remove any left-over liquid in the discharge hose after each use.</p> <p>After using the pump, do not keep it on its side or upside down.</p> <p>Do not alter or disassemble the pump.</p> <p>Do not shock the pump and power supply adapter. Also do not make the power cord tense.</p> <p>When cleaning up the pump, do not use thinner, benzene, organic solvent, or glass cleaners.</p>
--	--	--

## Names of Parts



## Specifications (PART CODE: CTS2024)

Delivery volume	Approx. 16 LPM (4.2 GPM) - DC12V at Water	Operating temperature	+5°C ~ 40°C (41°F ~ 104°F)
Suction pipe length	Approx. 615 ~ 905mm	Operating voltage	DC 12V AC 230V (with transformer)
Discharge hose length	Approx. 2m (6.6ft)	Fuse	5A
Applicable liquids	DEF (AdBlue), Water, Antifreeze, Windshield washer fluid, Mild detergents, Agricultural chemicals, Light oils.	Duty Cycle (how long can the pump be used continuously)	Max 15min. run, 30min. off

## Directions for Use

