

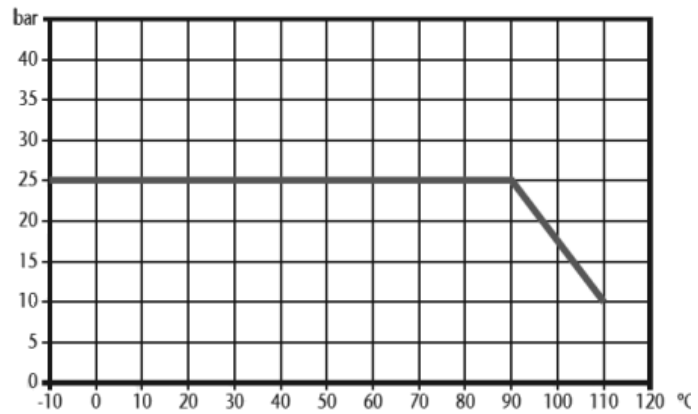


## Brass Lever Ball Valve - Compression

### Product Image



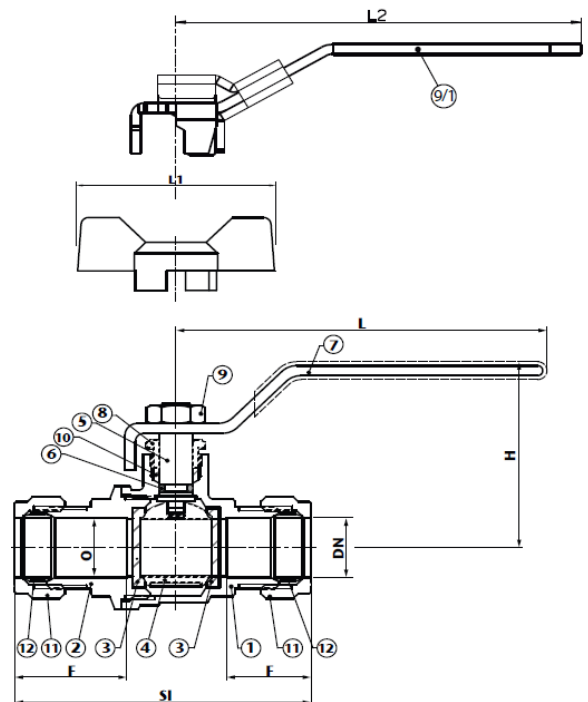
### Product Performance



### Features

- Compression Ends
- Full Bore
- Locking lever device & Tee handle option available
- Anti-Blow-Out Stem
- PTFE Seats & Seals
- Temperature: -10°C to +110°C
- Pressure: 25 Bar
- Available in sizes 15mm to 54mm
- WRAS Approved
- EN331 Gas Approved

### Parts Diagram





## Brass Lever Ball Valve - Compression

### Sizes & Dimensions

DN	15	22	28	35	42	54
O	14.5	19.0	24.5	31.5	39.5	49.5
F	18.75	20.25	22	24	28	32
SI	70.5	80	91.5	109	123	150
H	52.5	54.5	69	78	86	100
L	83	93	124	133	133	158
L1	52	52	62			
L2	100	100	125	150	150	165
Kgs	0.23	0.34	0.57	0.94	1.81	2.15

### Material

N.	Part Name	Material
1	Body	Brass/Nickel Plated
2	Body End	Brass/Nickel Plated
3	Seat	PTFE
4	Ball	Brass/Chrome Plated
5	Stem	Brass
6	O-ring	NBR
7	Lever	Steel
8	Lock Nut	Brass
9	Nut	Steel
9/1	Lockable Lever	Steel/ PVC Plastic Coated
10	Stem Packing	PTFE
11	Nut	Brass
12	Olive	Brass