

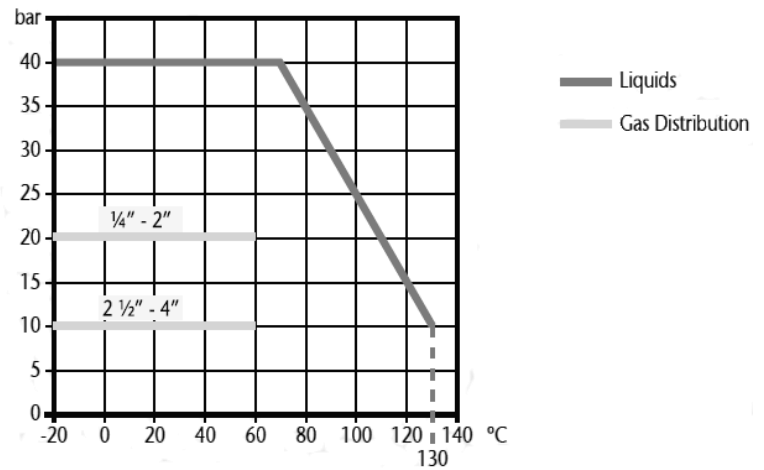


## 2 Piece Brass Lever Ball Valve - FXF

### Product Image



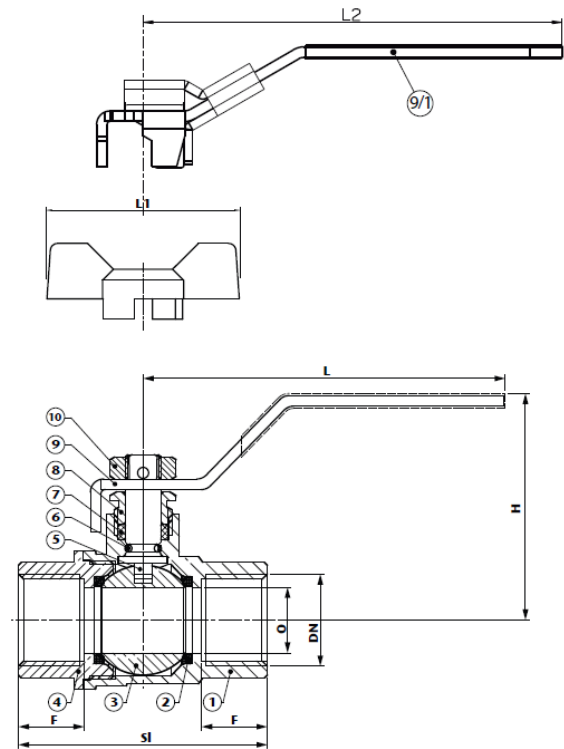
### Product Performance



### Features

- Screwed BSP Parallel FXF
- Full Bore
- Locking lever device & Tee handle option available
- Anti-Blow-Out Stem
- PTFE Seats & Seals
- Temperature: -20°C to +130°C
- Pressure: 40 Bar
- Available in sizes 1/4" to 4"
- WRAS Approved
- EN331 Gas Approved

### Parts Diagram





### 2 Piece Brass Lever Ball Valve - FXF

#### Sizes & Dimensions

DN	¼"	3/8"	½"	¾"	1"	1 ¼"	1 ½"	2"	2 ½"	3"	4"
O	10	10	14.5	19	24.5	31.5	40	49	62	73	90
F	11.5	11.5	15	18	19.5	20	21	26.5	31	36.8	41.6
S1	45	45	57	67	77	88	99	121	146	168	199
H	41	41	52	49	62	81	90	96	122	132	143
L	82	82	87.5	100	125	141	141	165	225	225	280
L1	52	52	52	52	62						
L2			100	100	125	150	150	165			
Kgs	0.14	0.14	0.20	0.26	0.41	0.61	0.95	1.35	3.02	3.99	6.51

#### Material

N.	Part Name	Material
1	Body	Brass/ Nickel Plated
2	Seat	PTFE
3	Ball	Brass/Chrome Plated
4	Body End	Brass/Nickel Plated
5	Stem	Brass
6	'O' Ring	NBR
7	Stem Packing	PTFE
8	Lock nut	Brass
9	Lever	Steel
9/1	Lockable Lever	Steel/ PVC Plastic Coated
10	Nut	Steel