

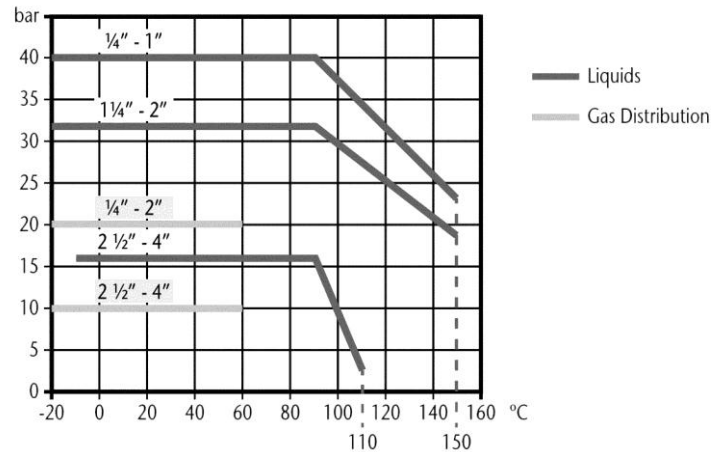


Brass Lever Ball Valve FXP Approved

Product Image



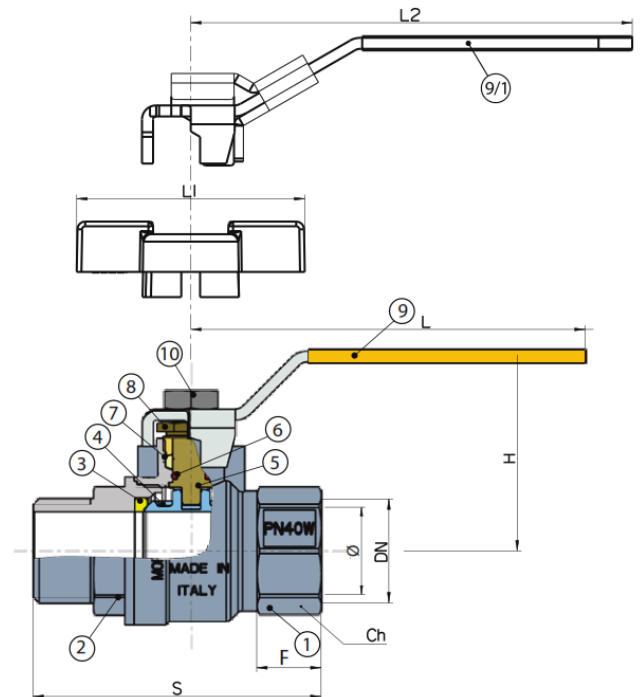
Product Performance



Features

- Screwed BSP Parallel FXP
- Full Bore
- Anti-Blow-Out Stem
- Locking Lever & Tee Handle options available
- PTFE Seats & Seals
- Temperature: -20°C to +150°C (1/4"-2") -10°C to +110°C (2"-4")
- Temperature (Gas): -20°C to +60°C
- Pressure: 40 Bar Rated (1/4" - 1")
32 Bar Rated (1"-2") 16 Bar Rated (2" - 4")
- Pressure (Gas): 20 Bar Rated (1/4"-2") 10 Bar Rated (2"-4")
- Available in sizes 1/4" to 4"
- WRAS & EN 331 Gas Approved
- Italian manufactured

Parts Diagram





Brass Lever Ball Valve FXF Approved

Sizes & Dimensions

DN	¼"	3/8"	½"	¾"	1"	1 ¼"	1 ½"	2"	2 ½"	3"	4"
Ø	10	10	15	20	25	32	40	50	61	74	95
F	10	10	15	16	19	21	21	26	20	24	27
S	45	45	63	71	83	92	104	124	130	150	178
H	41	41	54	58	66	71	80	88	120	127	135
L	80	80	90	90	125	125	140	140	240	240	250
L1	52	52	62	62	72						
L2	95	95	120	120	150	150	160	160			
Ch	21	21	26	31	38	48	55	68	84	96	123
Kgs	0.14	0.14	0.26	0.37	0.57	0.84	1.46	2.09	2.98	3.91	6.97

Material

N.	Part Name	Materials
1	Body	Brass/Nickel Plated
2	Body End	Brass/Nickel Plated
3	Seat	PTFE
4	Ball	Brass/Chrome Plated
5	Stem	Brass
6	'O' Rings	FP
7	Stem Seat	PTFE
8	Packing Nut	Brass
9	Lever	Steel/PVC-Plastic Coated
9/1	Lockable Lever	Steel/PVC-Plastic Coated
10	Nut	Steel/Zinc Plated