

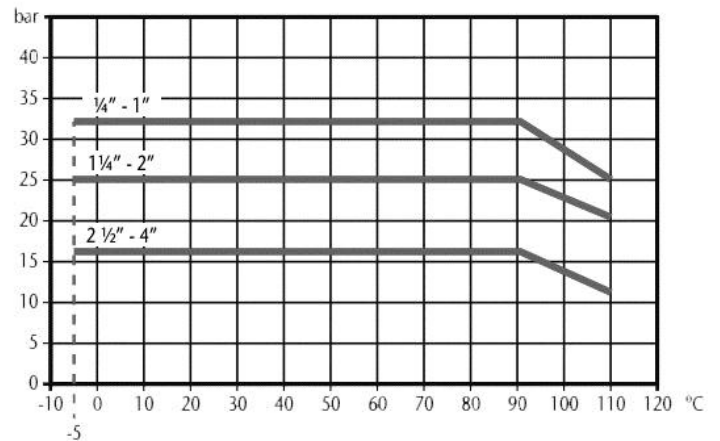


Brass Lever Ball Valve FXF Approved

Product Image



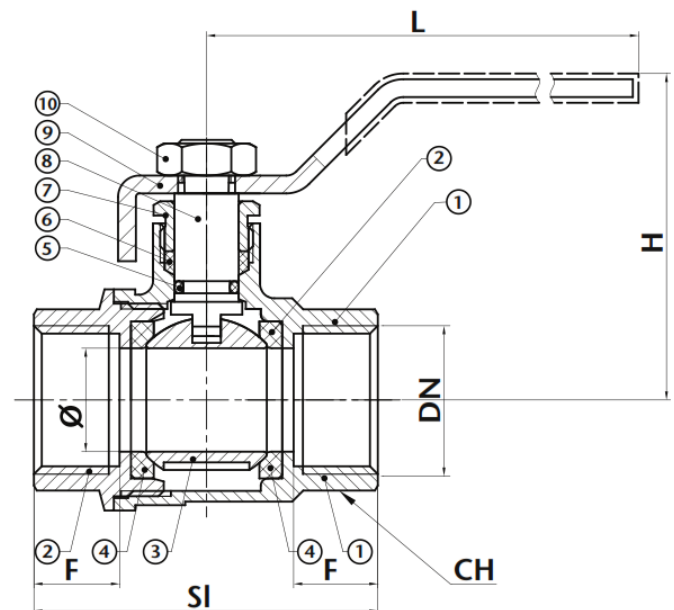
Product Performance



Features

- Screwed BSP Parallel FXF
- Full Bore
- Anti-Blow-Out Stem
- PTFE Seat
- Temperature: -5°C to +110°C
- Pressure: 32 Bar Rated (1/4" - 1")
25 Bar Rated (1" - 2")
16 Bar Rated (2" - 4")
- Available in sizes 1/4" to 4"
- WRAS approved

Parts Diagram





Brass Lever Ball Valve Fx Approved

Sizes & Dimensions

| DN | ¼" | 3/8" | ½" | ¾" | 1" | 1 ¼" | 1 ½" | 2" | 2 ½" | 3" | 4" |
|-----|------|------|------|------|------|------|------|------|-------|-------|------|
| Ø | 10.5 | 10.5 | 15 | 20 | 25 | 32 | 40 | 50 | 62 | 75 | 95 |
| F | 9.5 | 10 | 10 | 11 | 13 | 15.5 | 16.5 | 18 | 23.5 | 25 | 27 |
| SI | 41.5 | 43.5 | 55.2 | 57.5 | 68.5 | 90 | 91.5 | 122 | 131.5 | 151 | 182 |
| H | 39.5 | 39.5 | 42.5 | 46 | 69 | 69 | 83.5 | 83.5 | 107 | 116.5 | 152 |
| L | 80 | 80 | 92 | 92 | 105 | 105 | 150 | 150 | 225 | 225 | 250 |
| CH | 17.5 | 20.5 | 25 | 31 | 38 | 47 | 54 | 66 | 84 | 96 | 123 |
| Kgs | 0.12 | 0.12 | 0.18 | 0.27 | 0.42 | 0.71 | 0.93 | 1.52 | 2.90 | 3.82 | 7.03 |

Material

| N. | Part Name | Materials |
|----|--------------|---------------------|
| 1 | Body | Brass/Nickel Plated |
| 2 | Body End | Brass/Nickle Plated |
| 3 | Ball | Brass/Chrome Plated |
| 4 | Seat | PTFE |
| 5 | 'O' Ring | NBR |
| 6 | Stem Packing | PTFE |
| 7 | Lock Nut | Brass |
| 8 | Stem | Brass |
| 9 | Lever | Steel/Zinc Plated |
| 10 | Nut | Steel/Zinc Plated |